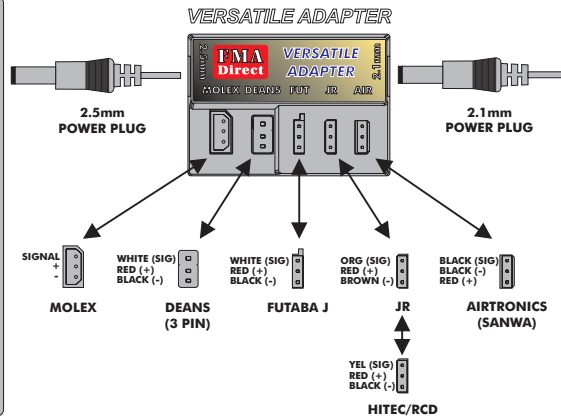
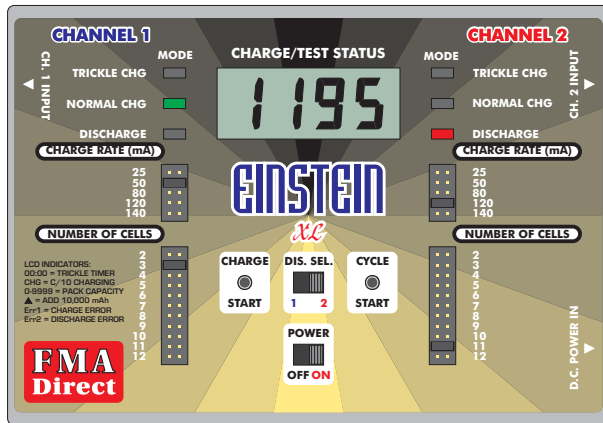


THE EINSTEIN BATTERY MANAGEMENT SYSTEM QUICK REFERENCE

EINSTEIN XL BATTERY CHARGER/CYCLER



MODE 1: TRICKLE CHARGE MODE

BEGINS AT POWER ON. REMAINS UNTIL ANOTHER OPERATION IS INITIATED - YELLOW LED INDICATOR LIGHTS

MODE 2: NORMAL CHARGE (C/10) CHARGE MODE

CONNECT BATTERY
 DIVIDE PACK CAPACITY BY 10 (EXAMPLE 500mA/10 = 50)
 SET CHARGE RATE WITH JUMPER
 PRESS CHARGE START BUTTON - GREEN LED INDICATOR LIGHTS
 DISPLAY FLASHES BETWEEN 0 AND CHG
 BATTERY WILL REVERT TO TRICKLE CHARGE AFTER 16 HRS.

MODE 3: CYCLE MODE

CONNECT BATTERY
 DIVIDE PACK CAPACITY BY 10 (EXAMPLE 500mA/10 = 50)
 SET CHARGE RATE WITH JUMPER
 SET NUMBER OF CELLS WITH JUMPER
 PRESS CYCLE START BUTTON - RED LED INDICATOR LIGHTS
 DISPLAY COUNTS mAh REMOVED FROM PACK
 BATTERY WILL REVERT TO NORMAL CHARGE AT 1.1V PER
 CELL x NO. OF CELLS - GREEN LED INDICATOR LIGHTS
 AFTER NORMAL CHARGE BATTERY WILL REVERT TO
 TRICKLE CHARGE - YELLOW LED INDICATOR LIGHTS